

COSMIC STOJAN-NET AND ITS UTILIZATION

Stojan Velkoski

*“Institute for Geobiology, Archaeology, Ground Water and Ecology”
e-mail: contact@igape.edu.mk; www.igape.edu.mk*

Key words: *s-net, nanotechnology, telecommunication*

Abstract: *Besides the two already known nets, I recently discovered this new one, known as Stoyan’s (net). At first, the active knots of this net were identified as very dangerous for the living creatures, including the human race. Therefore, around 15,000 people and 8,000 heads of cattle were analyzed.*

Under the research, around 120 seedlings were also analyzed, on which there was an active S-knot and it was concluded that most atmospheric electricity charges were discharged exactly on these seedlings. This means that the active knots, through the stem and the root of the seedling, create good earthing through which most atmospheric discharges take place.

Based on this, I have envisaged the construction of a separate nanotechnology which will be able to use the active knots of the cosmic S-net for telecommunication and other processes on our planet (as shown in Fig.).

The cosmic S-net, combined with the new transmitters, is a new discovery and a technological solution, which allows for permanent and safe communication around the world with immensely lower financial costs, as well as in view of safe living environment.

Thanks to the possibility of higher conductivity level, the cosmic S-net can also be used to direct, discharge or exploit atmospheric electricity discharges.

According to the classification, it belongs to A1.

Introduction

As a consequence of the damage done to the ozone cover, there are so called cosmic (ozone) holes, which cover large amount of space on the Earth. The ultraviolet rays can easily come through them. If people are exposed to those ultraviolet syn rays, there are more chances to get skin burns and skin cancer. Besides these cosmic or ozone holes, there are other sources of electromagnetic sort, known as emissions, which come from the cosmic nets.

The planetary system with its existence does certain inner reflections, thus creating nets above the Earth’s ozone cover. The cosmic nets are different from one another because of the distance between the lines and the parallels, from which they are made of, and their width. With the intersection, of the lines and parallels, the so-called knots with which are forming the nets. The knots that don’t get through the ozone cover represent passive knots.

The cosmic sources for emission (knots), which manage to get through the ozone cover represent active knots. They can be identified on the earth and they represent serious danger to the living world. The diameter of the knot depends on the width of the lines that form the cosmic net, and with that the diameter of the effect made by the cosmic emissions over the earth. Only three cosmic nets are detected so far, which are harmful for the living world.

The three nets carry their authors names:

- | | |
|-------------------------------------|--------------------------|
| a. The net of Ph.D. Manfred Curry | 300 cm x 300 cm x 50 cm; |
| b. The net of Ph.D. Ernst Hartmann | 250 cm x 200 cm x 25 cm; |
| c. The net of Ph.D. Stojan Velkoski | 100 cm x 90 cm x 10 cm. |

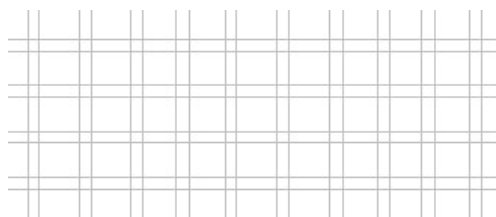


Fig. 1

Material and Methods

The cosmic knots can be moved for more than 1 m in case of tectonic activities (earthquakes) or sun storms.

I have noticed these occurrences based on the years spent on studying the nets, and experiments. After the appearance of the sun storms which happened in December 2003, an occurrence is detected with new active cosmic emissions especially from the third cosmic S-net. The frequency of the cosmic knots over the Earth, among other things, depends also from the damage of the ozone cover, and the harm which they cause to the living world is enormous.

Also, in the solitaires, there are certain places where the cosmic knot doesn't match rectilinearly on all of the floors. This occurrence is due to the certain reflection, or the redirection. The reflection or redirection of the knot can be caused by a string in the bed or an armature from a concrete panel, but this is not always the case. If there is a knot on some bed or on the armature in the concrete panel, on some of the higher floors, there can be a match in the distance and the size of the spirals or the armature with the resonance of the knot, in that case the same is easily redirected to the lower floors and changes the direction of movement. The reflection can also happen from some synthetic and other materials.

I have elaborated and investigated it in details, from technical aspect and concerning the effect it has on the live world including the human (a part of the researches can be seen on www.soncevzrak.com).

There are more scientific studies, which include more than 10000 people and around 8000 large livestock. The results have shown that people, whose work place or bed is exposed to these active knots, get sick from malign diseases in the average of 9 years. The experiments with the large livestock have shown that the livestock which has been continually exposed gets sick from malign diseases for about 3 months.

There is a chance for solving this problem, and that is with the neutralizer–transformer BIO-SPH, which has a feature to decrease the intensity of the electromagnetic fields to 300 MHz, and with this it can secure a safe living environment.

From the three nets that we know so far, there is a real opportunity that the third net can be used for telecommunication and other services.

So far the telecommunication solutions involve the relay, mobile and the satellite telecommunication. All these ways of communication are conditioned by time, space and service with a very high price.

The technical solution which is meant for utilizing the cosmic S-net is a new invention which can be used in combination with a transmitter with a receiver emitter and a locator.

The locator has a purpose to precisely locate the active S-knot, which will be used for further transfer. The transmitter has a purpose to module the knot of the cosmic net, so that it can be used for emission of additional low frequencies through which the translation will be done. The emitter has a purpose to broadcast waves into the space, through which they can be in contact with the user of the services, or the transmitter.

The invention will have the opportunity to be used statically or mobile. The static solution will have the opportunity to be located directly on the cosmic S-knot with which it will have a direct link, and the services will be performed by emitting to the users.

The mobile technical solution will have the opportunity to emit certain frequencies in the space through which it will create a contact with the active S-knots and with the help of the transmitter it will enable receiving and giving telecommunication or other services.

There is no given rule by which we could know the number of active S-knots in a certain space. For example, in 1000 m² there can be 5 knots, and in another case with a space of the same size there can be 50 active cosmic S-knots. The frequency of the active cosmic S-knots enables the mobile communicational method to emit frequencies in a limited and relatively small space in the radius of a couple of meters and the communication will go on uninterrupted. In this case the scope of the mobile device will always be in contact with the S-net. This way we can spare the environment from all kinds of emitters with a great destructive power.

Results

This invention represents a new era in the development of the telecommunications.

According to my analysis through out the years I have noticed that the S-knots attract the electro atmospheric discharges. In most of the cases the electro atmospheric discharges happened in places where there are active S-knots. The cosmic S-knot was next to or on some distance of the place where there is good grounding. This natural occurrence represents a good indicator that the active S-knots represent some sort of conductors. Because the same comes from the cosmic S-net

which is spread over the ozone cover, the net represents a juncture between all of the knots of the net. In this case separate knots achieve to break through the ozone cover and reach the Earth.

The active knots can be identified on the Earth and they can be used for: scientific, military and industrial purposes.

The utilization of the active S-knots can be done in several ways, among which are the following three:

1. Specially constructed transmitters can be placed on a previously identified two or more active knots, which are located on two different continents. They will be able to use the electromagnetic component from the cosmic knots for transferring information etc (Fig. 2).

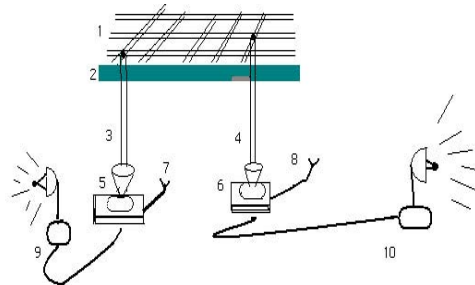


Fig. 2

2. In this model a micro mobile locator can be used on the cosmic S-knots and right away, through the same, a telecommunication link can be engaged without the need of any additional emitters. In this case there is a need of a sophisticated mobile device with a locator, transmitter and receiver emitter. With the locating of the cosmic S-knot, the device is brought to that point and we are in contact with the cosmic S-net (Fig. 3). Also, the contact between the mobile device and the active cosmic knots can be done by waves (Fig. 4).

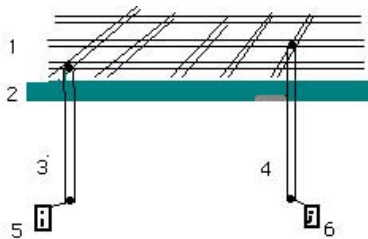


Fig. 3

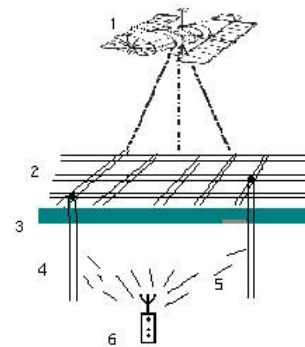


Fig. 4

This model is more acceptable because the user does not depend on the locating of the cosmic S-knots or any other central emitter which is recharged by electrical energy. In this case the user owns a mobile device without a locator, which is equipped with a transmitter and a receiver emitter with a short range. In that way the user will be able even in motion to reach the S-knots (one or more of them) and establish the contact through them.

3. Because of the fact that the active cosmic S-knots represent some sort of a conductor for the electromagnetic discharges, they can be used for controlled discharge into open or urban space and their utilization.

With the use of the new technical solution, there is a line of positive effects which the people can benefit from. For example:

- * Reduced energetic expenses, as for the device, so as for its maintenance;
- * Better telecommunication reach over the whole planet;
- * Preserving the living environment;
- * Possibility for utilization of the technical solution for better communication with the crew in the spacecrafts;
- * Reducing the consequences of the electro atmospheric discharges, with a possibility to use them further on;
- * Cheap telecommunications and other services.

Discussion

Fig. 1

Fig. 1 shows the spreading of the three cosmic nets and their dimensions.

a. The Kerju net is discovered and elaborated by D-r. Manfred Kerju, whose knots on the Earth are 50 x 50 cm, while the distance between the lines which form the net, depending on the geographic position is around 300 x 300 cm;

b. The second net, which was known by the older generations, is called after the name of Dr. Ernst Hartmann, who elaborated and announced it in the second half of the previous century. The dimensions of the cosmic knots are 25 x25 cm, while the distance between the lines is north-south 250 cm x east-west around 200 cm. Depending on the geographic width on which the net is located, it can go through certain changes;

c. I have discovered, elaborated and followed the third net for a longer period of time. The width of the lines is around 10 cm, and with it the spread of its knots is around 10 x 10 cm, while the distance between the lines is north-south around 90 cm, and east-west around 100 cm. Depending on the geographic width on which the net is located, it can go through certain changes. This net was not known till recently, because of the small spread of the knots.

Fig. 2

Fig. 2 shows the following elements:

Point 1 shows the spread of Stojans', or the S-net with two active knots;

Point 2 shows the ozone earth shield which is penetrated by two S-knots;

Point 3 and 4 represent two active cosmic S-knots;

Point 5 and 6 represent specially constructed transmitters whose purpose is to receive and transform the active S-knots and perform the receiving and emitting of the communicational and other services;

Point 7 and 8 represent the energizing of the transmitters who are placed on two different places on the earth with electrical energy;

Point 9 and 10 represent local receivers emitters which help the mobile devices to get the necessary activities.

Fig. 3

Fig. 3 shows the opportunity for utilizing the s-net through the active S-knots, without central emitters with transmitters and locators which is presented with the following things:

1 – the cosmic S-net over the Earths' ozone layer;

2 – the ozone cover;

3 and 4 – active S-knots;

5 and 6 – mobile receivers/emitters with locators and transmitters which work in direct contact with a cosmic S-knot.

Fig. 4

Fig. 4 shows the opportunity for utilizing the active S-knots with the help of frequencies emitted by the mobile devices. The device equipped with transmitters and receivers emitters will be able to obtain active S-knots in their surrounding area, which will enable the further development of the processes. The energizing of the mobile devices can be combined with the help of the solar technique or with batteries.

The solar utilization for energizing the devices for communication can be of great benefit to the expeditions on the Earth and in the Space.

The process of utilization is shown through the next points:

1. Point 1 shows the cosmic S-net;

2. Point 2 shows the ozone layer;

3. Point 3 and 4 show the two active cosmic S-knots, which are in function with the help of a mobile device and on a certain distance;

5. Point 5 shows the mobile device which in motion reaches active cosmic S-knots and functions normally;

6. Point 6 shows the system and methodology with the technical resources for grounding and utilizing the electro atmospheric charges, as described in the given points.

Fig. 5

Fig. 5 shows that the opportunities given by the cosmic S-net are very big.

One of those opportunities is to utilize the conductivity of the active cosmic S-knots for controlling and using the electro atmospheric discharges.

In this case the damages caused by the electro atmospheric discharges (lightning) can be reduced to a minimum. If they can be redirected through the active S-knots, for their grounding or utilization, then the living environment can be protected, and also an additional energy can be gained from the nature, as shown in the following points:

1. The cosmic S-net with its active knots;
2. The ozone cover;
- 3 and 4 are the polarized clouds with polarity (+) and (-);
5. Discharging of the electricity (lightning);
6. Active S-knot which has good grounding;
7. Active S-knot which hasn't got good grounding;
8. System for grounding.

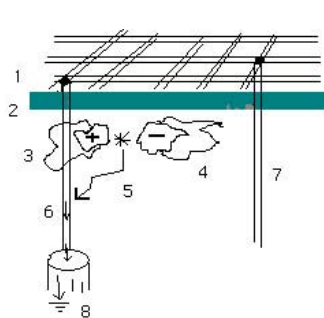


Fig. 5

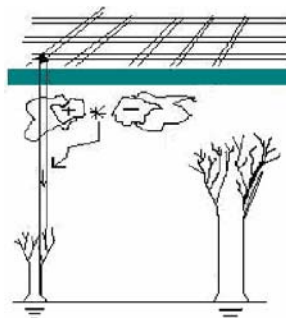


Fig. 6

References:

1. Velkoski S., G. Mardirossian. Neutralizator-transformator na vredni elektromagnetni vlni i prvi rezultati od prilo`enieto mu, Sofia, 1999.
2. Velkoski S., G. Zlateva, I. Stoilova. Isledvanie stepenta na vrednostna elektromagnnetno pole i vzmno`nosti za za`tita, Sofia, 1999.
3. Velkoski S., G. Mardirossian. Optimalni aero-kosmi-ki opiti za ekologijata i okolnata sreda, Nov Bugarski Univerzitet, 1999.
4. Mardirossian G., A. Bliznakov, J. Krumova, S. Velkoski. Aerokosmi-ki metodi za ocenka na vzdeistveieto na prirodni riskovi procesi i javlenija, Sofia, 2002.
5. Mardirossian G., S. Velkoski, A. Bliznakov. Improvements and inovations in registering the geomagnetic field parameters, Sofia, 2003.
6. Jivkov J., G. Mardirossian, S. Stojanov, P. Panova, S. Velkoski. Nonliner receiver reaction irradiation with complex spectral composition, Sozopol, 2003.
7. Getsov P., J. Jekov, G. Mardirossian, S. Stojanov, M. Narbanov, S. Velkoski. Total content of atmospheric ozone measurement apparatuses, created in the Space Research Institute at the Bulgarian academy of Sciences, Ohrid, 2003.
8. Velkoski S.. Nadzemen izmeritelen kompleks vo sostav na sinhronen aero-kosmicheski eksperiment za distancionni istrachuvawa vo ekologijata, Ohrid, 2003.
9. Kotevski G., S. Velkoski. Odnosot pomeju seizmika, geotermija i hidrogeologija, Sofia, 2004.
10. Velkoski S.. Distanciona aerokosmi-ka i nadzemna istra`ivawa dejstva elektromagnetnog zra`ewa na `ivotnu sredinu, Tivat, 2004.
11. Jekov J., P. Getsov, S. Velkoski. Optical methods and ground-based spectral devices for measuring of the total composition of the atmospheric ozone, Tivat, 2004.
12. Velkoski S., G. Kotevski, G. Z. Velkoska, G. Mardirosian: Effect of the electromagnetic radiation on the cell function and protection with BIO-SPH, Varna 2005.
13. Velkoski S. Methods and technical devices for solving problems in risky hydro-geological areas.
14. Velkoski S. Danger from Possible Terrorist Attacks on Urban Water Supply and How to Prevent Them, NATO Workshop, Tel Aviv, 2005.
15. Velkoski S. Connection of the Archeology with Geobiology, Underground Waters and Ecology in Practice, Varna, 2006.
16. Velkoski S. Discovering and Working on the Harmfulness Cosmic Knots of the New Discovered S-net, Varna 2006